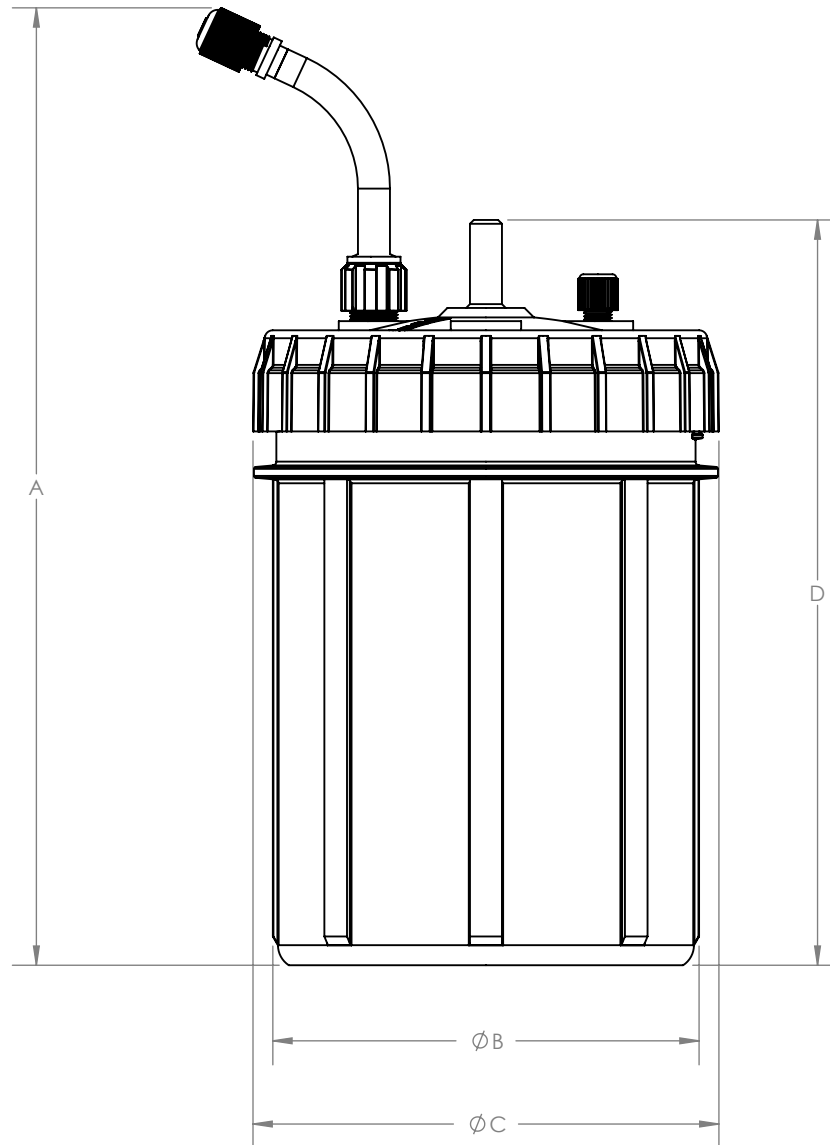


STANDARD DIMENSIONS

PART NUMBER	VOLUME	A INCHES (MM)	Ø B INCHES (MM)	Ø C INCHES (MM)	D INCHES (MM)
550-01	4000 mL	15.78" (400.8)	6.65" (168.9)	7.28" (184.9)	11.57" (293.9)




 10321 West 70th St.
 Eden Prairie, MN
 55344-3446 USA
 (952)935-4100

TITLE: **VIAL CLEANING SYSTEM**